



**Size:**  
½" - 12"

**End Connections:**  
Flange-150#-300#-600#

**Valve Materials:**  
WCB,WC6,WCC  
CF8,CF8M.CF3,CF3M

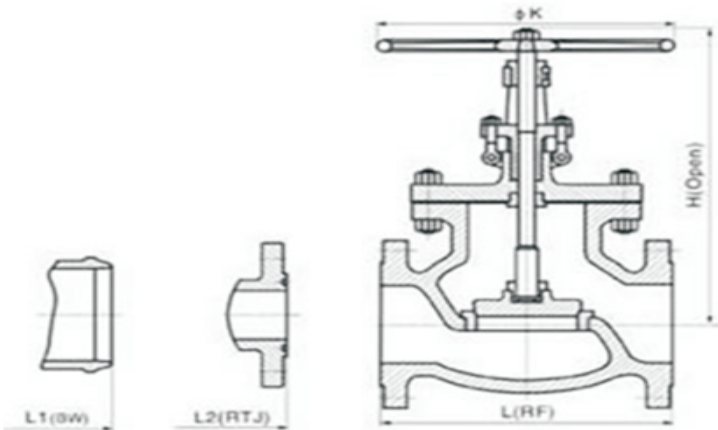
**Disc and Cap:**  
410,304,316

**Seat Materials**  
Metal

**Options:**  
Soft Seat

**Service Applications:**

Hydraulic  
Steam  
Oxygen  
Vacuum  
Thermal Fluids  
Chemical  
Oil/ Gas  
Food Processing  
Dry/ Liquid Chlorine



## Features

- Renewable Seat
- Bolted Bonnet
- Flat & Plug type seat
- Metal Seat



Standards compliance.  
 Face to face dimensions: ANSI B 16.10  
 End fange dimensions: ANSI B 16.5  
 Shell wall thickness: ANSI B 16.34

Dimensions													
Class 150													
Size	inch	2	2-1/2	3	4	5	6	8	10	12	14	16	18
L,L1-RF,BW	mm	203	216	241	292	356	406	495	622	698	787	914	978
L2-RTJ	mm	216	229	254	305	368	419	508	635	711	800	927	991
H	mm	330	390	410	475	540	585	725	825	940	1200	1270	1300
K	mm	200	250	250	300	350	350	450	500	600	600	650	650
WT	Kg	23	29	40	59	95	115	178	268	385	540	760	1050

Dimensions													
Class 300													
Size	inch	2	2-1/2	3	4	5	6	8	10	12	14	16	
L,L1-RF,BW	mm	267	292	318	356	400	444	559	622	711	838	863	
L2-RTJ	mm	283	308	333	371	416	460	575	638	727	854	879	
H	mm	350	425	485	520	565	655	825	920	1155	1250	1295	
K	mm	200	250	300	300	350	350	500	600	700	700	450	
WT	Kg	30	45	60	83	135	162	265	375	525	765	1100	

Dimensions										
Class 600										
Size	inch	2	2-1/2	3	4	5	6	8	10	
L,L1-RF,BW	mm	292	330	356	432	508	559	660	787	
L2-RTJ	mm	295	333	359	435	511	562	664	791	
H	mm	420	490	550	590	620	700	950	1140	
K	mm	250	300	300	350	500	500	600	600	
WT	Kg	39	61	76	122	210	245	447	692	

42. Shreeji Industrial Estate Raipur mill Compound .Saraspur.Ahmedabad-Gujarat-INDIA Web-site: [www.darshanvalve.com](http://www.darshanvalve.com)  
 e mail: [info@darshanvalve.com](mailto:info@darshanvalve.com) / [darshanvalve@gmail.com](mailto:darshanvalve@gmail.com)